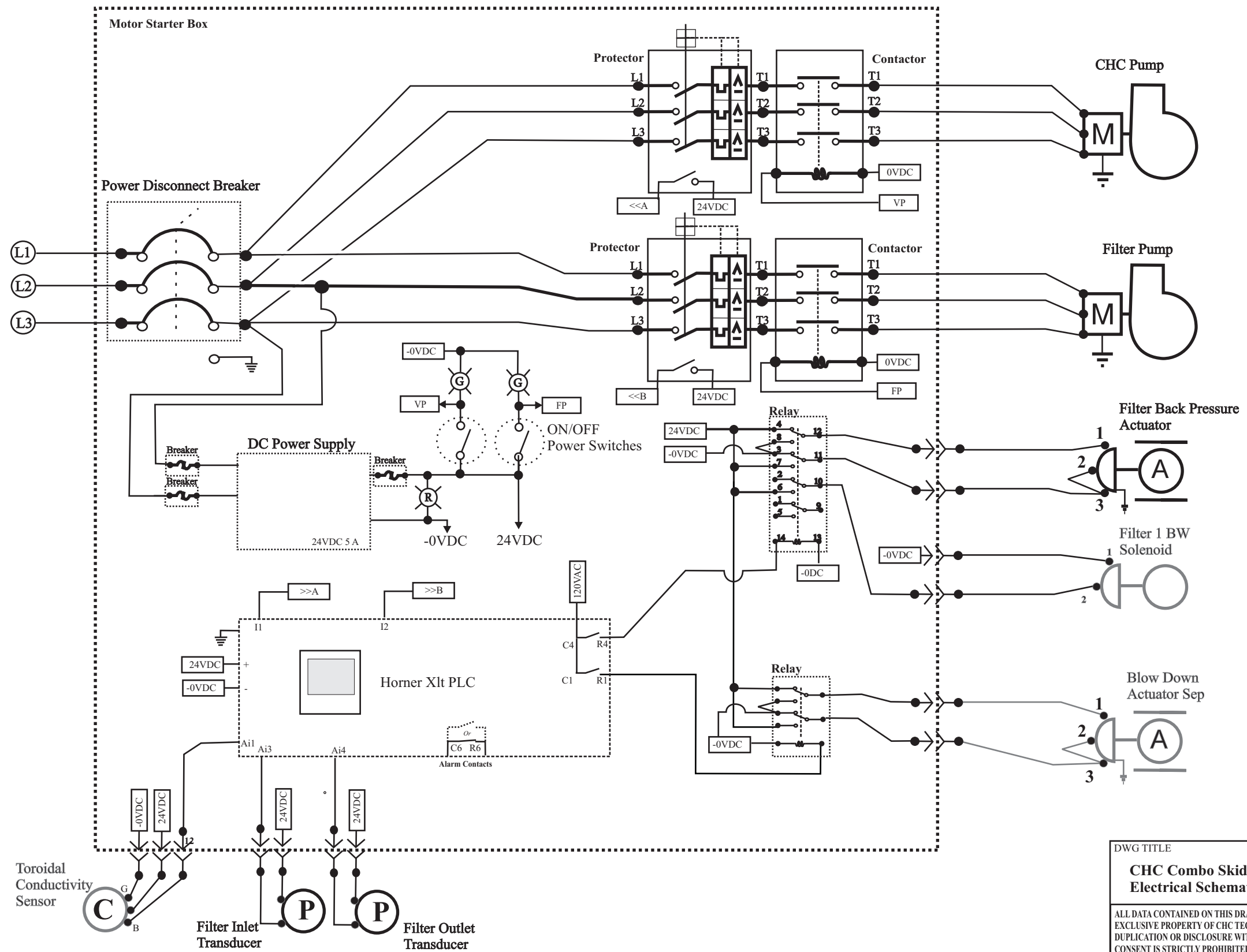


EcoWater CHC Combo Skid Electrical Schematic (Filtomat)



DWG TITLE		EcoWater CHC 5807 Business Park San Antonio, TX 78218	
CHC Combo Skid Electrical Schematic		DWN BY: CAS	DATE: 9/10/10
ALL DATA CONTAINED ON THIS DRAWING IS EXCLUSIVE PROPERTY OF CHC TECHNOLOGY. DUPLICATION OR DISCLOSURE WITHOUT WRITTEN CONSENT IS STRICTLY PROHIBITED.		CHK BY:	DATE:
DO NOT SCALE THIS DRAWING		SHT.SZE B	REV B